

# 1000

## Compact Carpet and Upholstery Extractor Extractor Compacto Para Alfombras y Tapicería

### Model No.:

- 607713 – 120V
- 607714 – 120V (includes cart)
- 607715 – 120V (includes cart/chemicals)
- 609385 – 230V
- 609614 – 120V Can.
- 609616 – 120V Can. Pac (includes cart/chemicals)
- 609688 – 230V/240V EMC
- 613747 – 220V/60HZ

### Operator and Parts Manual Manual del Operador y Piezas

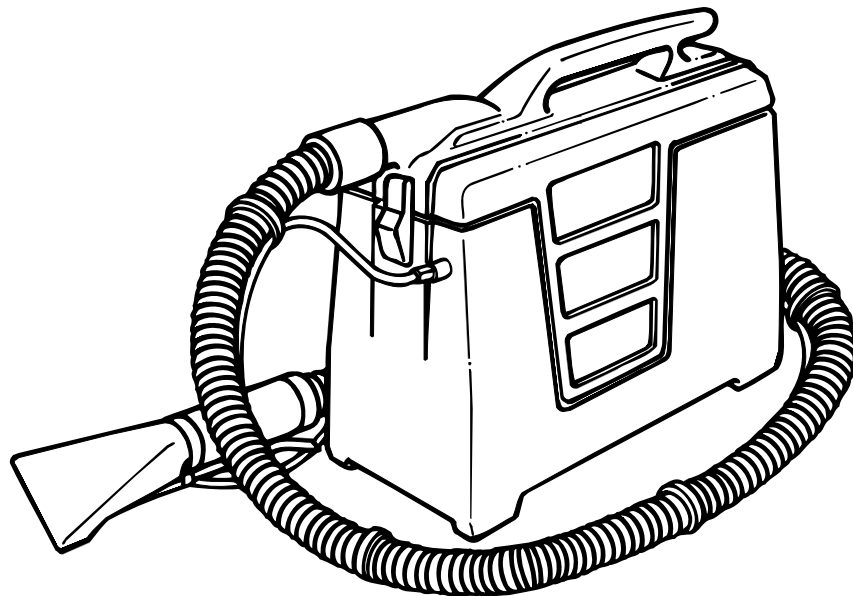
**TENNANT COMPANY**  
701 NORTH LILAC DRIVE  
MINNEAPOLIS, MN 55422

MAILING ADDRESS:  
TENNANT COMPANY  
P.O. BOX 1452  
MINNEAPOLIS, MN 55440-1452

**CUSTOMER SERVICE:**  
1-800-982-7658  
1-763-513-2850

**FAX:** 1-800-678-4240  
1-763-513-2142

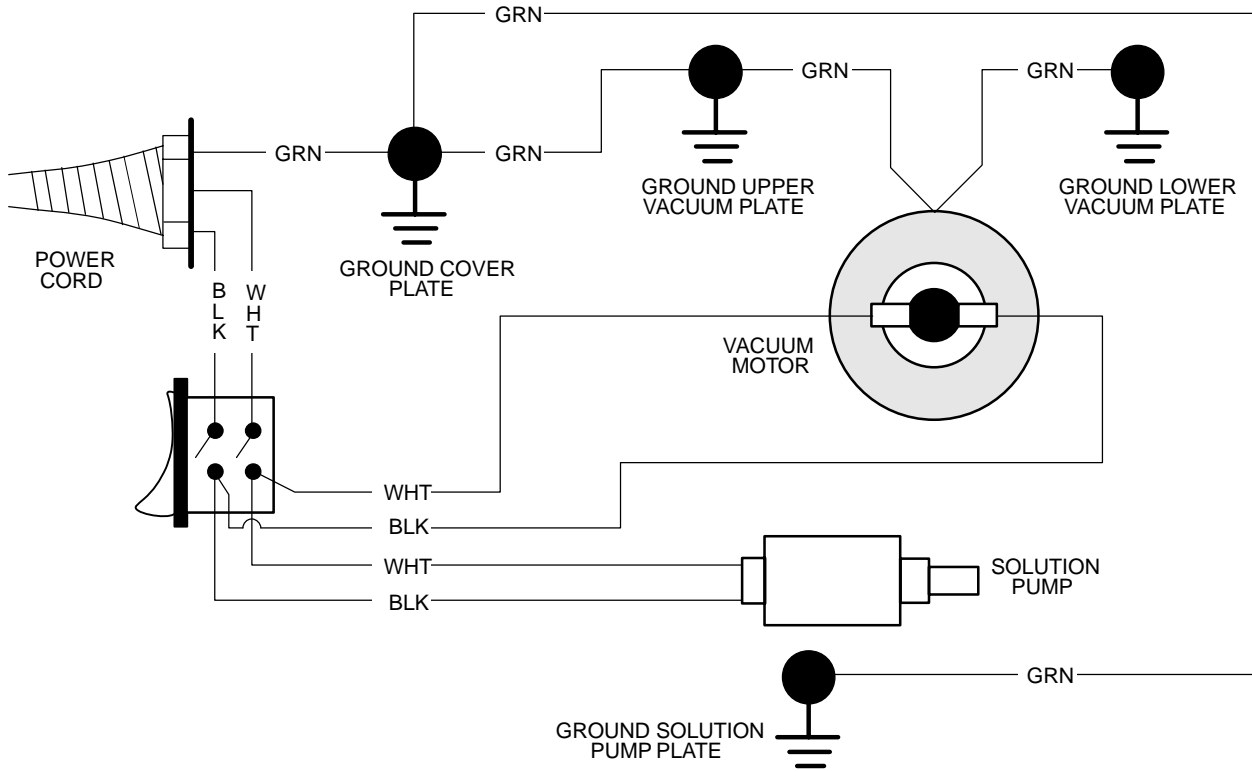
**TECHNICAL SUPPORT:**  
1-800-522-7839 EXT. 5356



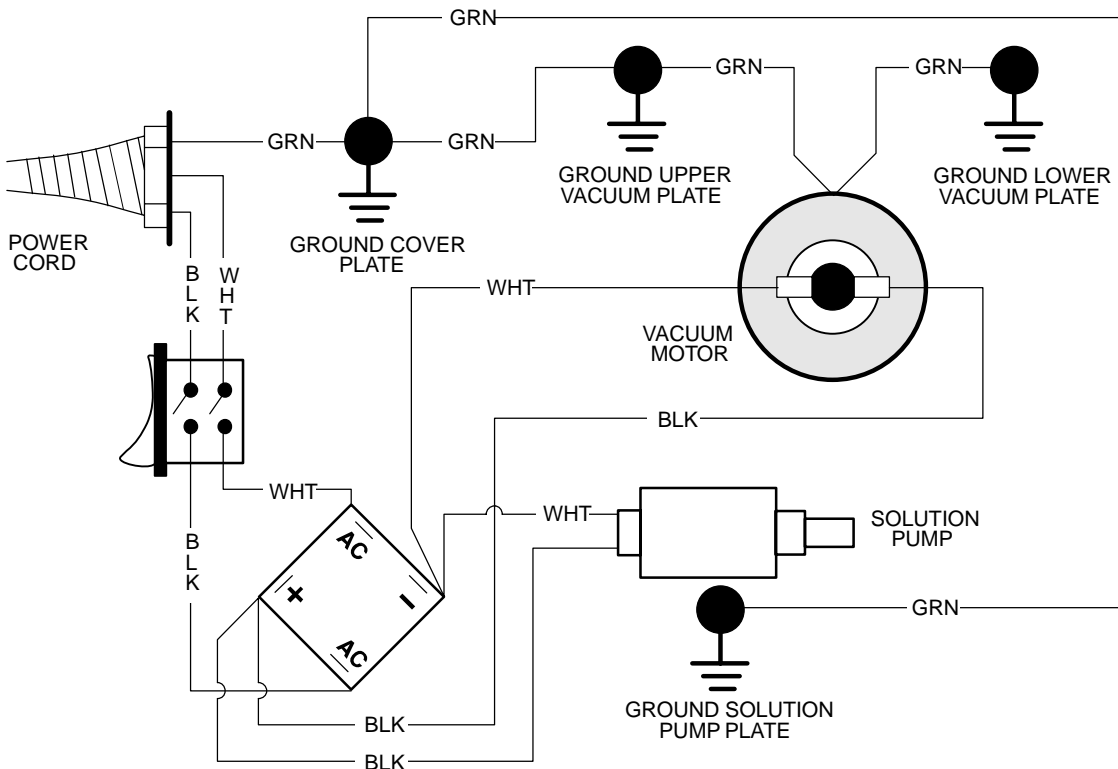
607716  
Rev. 03 (06-03)

**ELECTRICAL DIAGRAMS  
DIAGRAMAS ELECTRICAS**

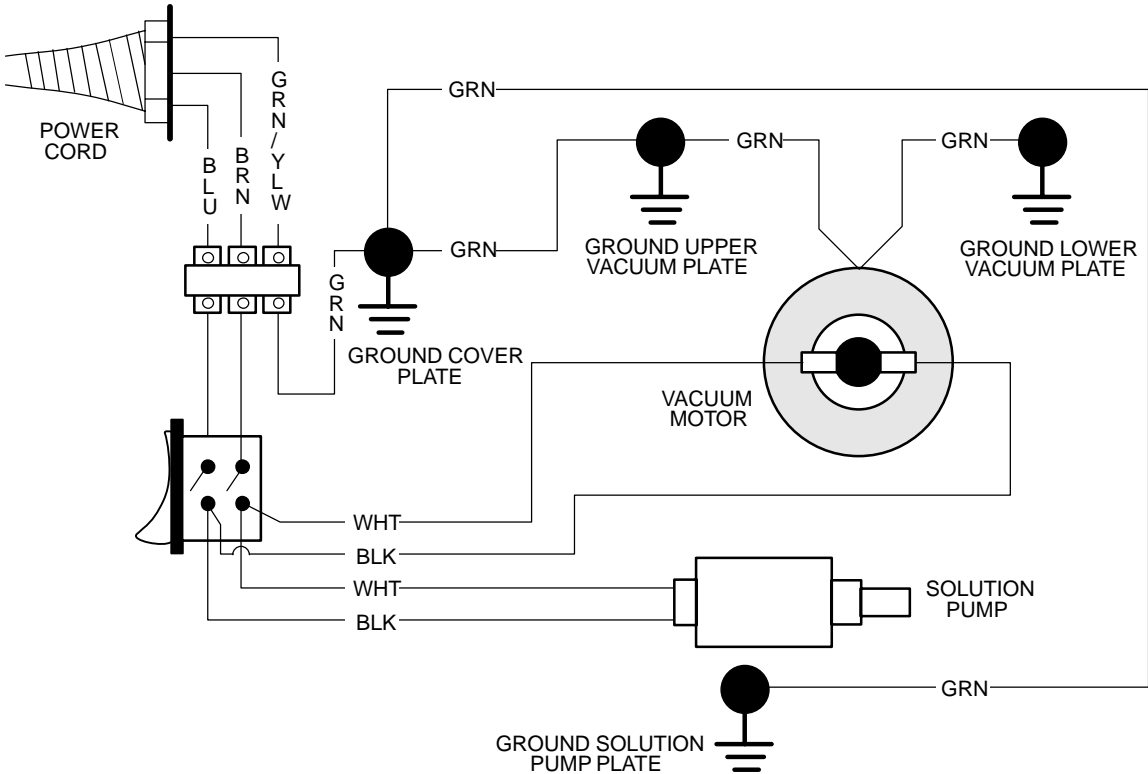
**120V 50/60HZ**



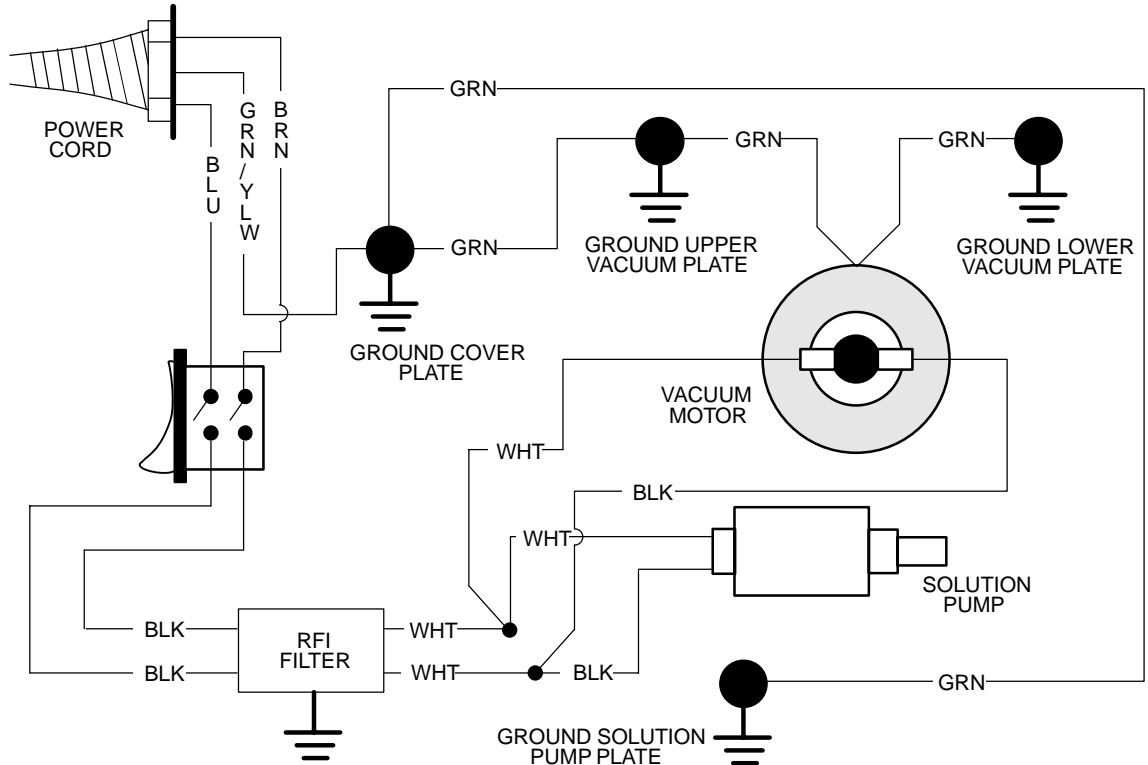
**120V – 400Hz**



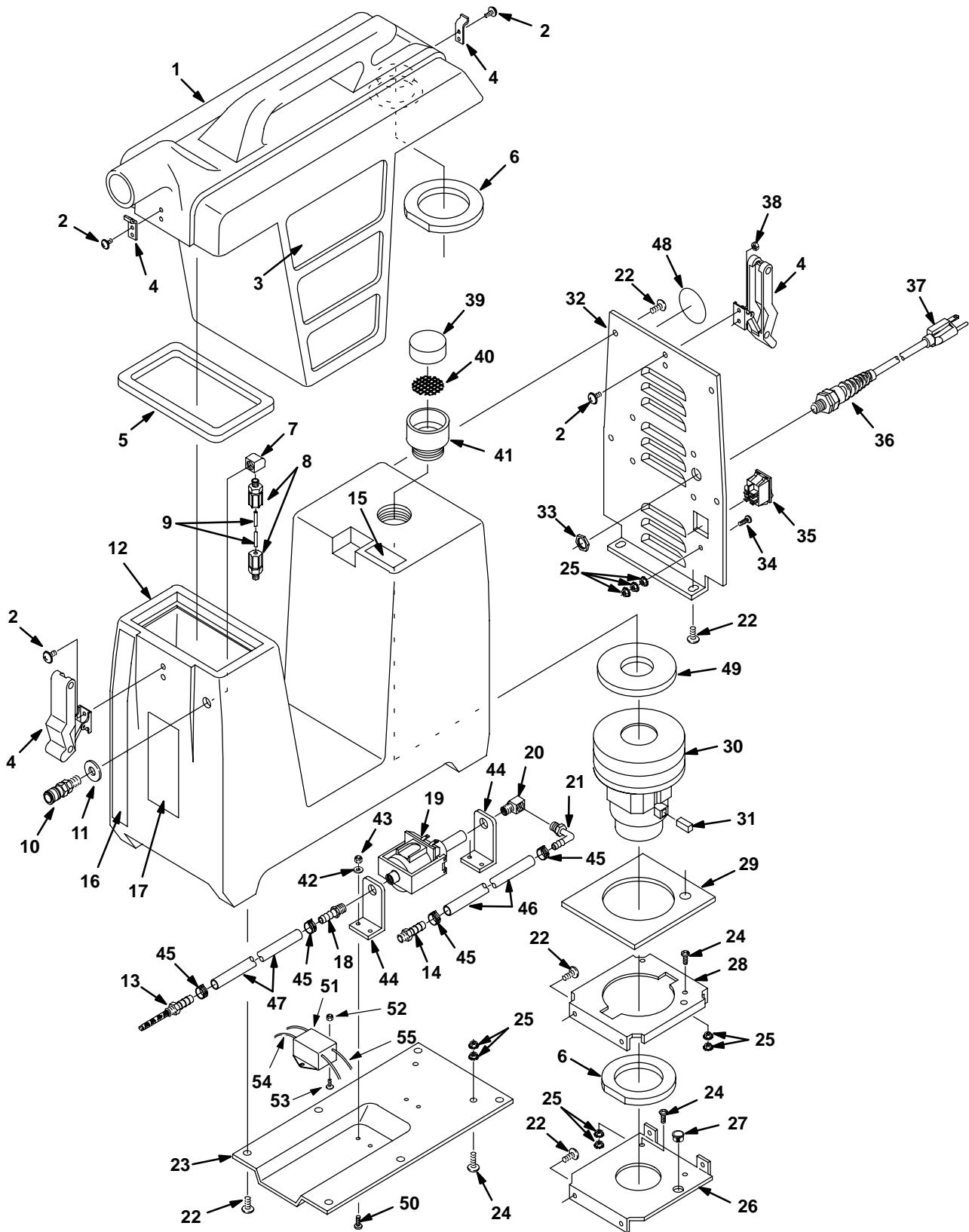
220V/230V



230V/240V EMC



MACHINE PARTS  
PIEZAS DE LA MÁQUINA



**MACHINE PARTS**  
**LISTA DE PIEZAS DE LA MÁQUINA**

REF	PART #	DESCRIPTION	QTY.
1	100360	TANK , RECOVERY, WHITE	1
2	609980	SCREW, 8-32X3/8 TRSPHL SEMS	8
3	608126	DECAL, TENNANT 1000	2
4	140932	●LATCH, HOOD RUBBER	2
5	102553	●GASKET, SOLUTION TANK SEAL	1
6	102556	●GASKET, RECOVERY TANK SEAL	2
7	150402	ELBOW, 90° 1/8F X 1/8F	1
8	150309	CONNECTOR MALE 1/8NPT W/NUT	2
9	560495	TUBING, NYLON .17ID X 12"	1
10	150915	COUPLER, QCK 1/8 BRASS-SER 5	1
11	140036	WASHER, FLAT 3/8	1
▽ 12	604331	TANK, SOLUTION, WHITE	1
▲ 13	603650	FILTER, SOLUTION TANK	1
▲ 14	603649	ADAPTER FITTING 1/4HXB1/4H	1
▲ 15	120906	DECAL, "IMPORTANT DRAIN..."	1
▲ 16	121006	DECAL, GALLON/LITER MARK	1
▲ 17	613283	LABEL, WARNING	1
18	150525	FITTING, 1/8M X 1/4H	1
19	603653	●PUMP, 30PSI 120V 60HZ	1
	604238	●PUMP, 30PSI 230V 50HZ (220V/230V/240V 50HZ)	1
20	150407	FITTING, 1/8M X 1/8F ELBOW 90	1
21	578214000	ELBOW, 1/8M X 1/4 H 90° NYLON	1
22	140197	SCREW, 10-24X3/8	14
23	608513	PANEL, BOTTOM, BLACK	1
24	140892	SCREW, 10-24X1/2 RNDPHL	3
25	140519	NUT, KEP 10-24 - S/S	9
26	230776	PLATE, BAFFLE	1
27	130698	BUSHING, SNAP	1
28	230777	PLATE VAC MOTOR MOUNT	1
29	102552	●GASKET, VAC MOTOR PLATE	1

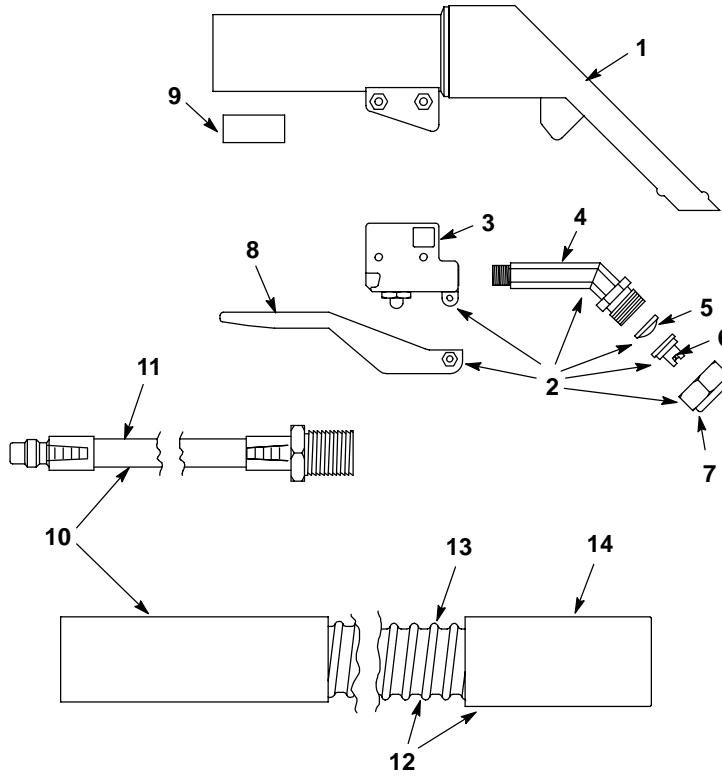
▽ ASSEMBLY / CONJUNTO

▲ INCLUDED IN ASSEMBLY / INCLUIDO EN EL CONJUNTO

● RECOMMENDED STOCK ITEMS / ARTICULOS RECOMENDADOS PARA  
MANTENER EN EXISTENCIA

REF	PART #	DESCRIPTION	QTY.
▽ 30	130457	●MOTOR, VAC 4.8-2 STG (120V)	1
▲ 31	190155	●CARBON BRUSH KIT (2/PK)	2
▽ 30	130458	●MOTOR, VAC 4.8-2 STG (220V/230V/240V)	1
▲ 31	190158	●CARBON BRUSH KIT (2/PK)	2
32	608514	PANEL REAR COVER, BLACK	1
33	140549	NUT, LOCK 3/8 CONDUIT	1
34	140895	SCREW, MCH 10-24X3/4	1
35	602669	●SWITCH, ROCKER 20A DPST	1
36	130137	●CORD GRIP 3/8NPT BLK	1
37	130277	●CORD, 18/3X25' YELLOW (120V)	1
	600397	●CORD, 3X1.0MM 2X8M BLACK (220V/230V/240V)	1
38	28990	NUT, LOCK 8-32 W/NYLON INST	2
39	102550	●FILTER, FOAM	1
40	230794	●FILTER, SCREEN 004 MESH	1
41	230836	FITTING, STR 1-1/2MX1-1/4F	1
42	140011	WASHER, #10 FLAT	4
43	140552	NUT, NYLON 10-24	4
44	603663	BRACKET, PUMP MOUNT	2
45	603654	CLAMP, HOSE EAR	4
46	603651	HOSE, 1/4"ID X 5-1/4"	1
47	603652	HOSE, 1/4"ID X 10-1/2"	1
48	-	N/A	1
49	102557	●GASKET, VAC MOTOR SEAL	1
50	140892	SCREW 10-24X1/2	4
51	613097	●FILTER, SAMIL (230V/240V EMC MODEL)	1
52	140539	NUT, 6-32 KEP (230V/240V EMC MODEL)	1
53	590137	SCREW, 6-32X3/8 (230V/240V EMC MODEL)	1
54	130133	TERMINAL, ML .25 (230V/240V EMC MODEL)	2
55	281004001	TERMINAL, FM .25 (230V/240V EMC MODEL)	2
N/S	130183	CONNECTOR, T-TAP FEMALE (230V/240V EMC MODEL)	2

**STANDARD HAND TOOL**  
**ACCESORIO ESTÁNDAR DE MANO**



REF	PART #	DESCRIPTION	QTY.
	613396	●ASM., HAND TOOL COMPLETE	1
▽	608901	●ASM., HAND TOOL W/TRIGGER	1
▲ 1	608891	●TOOL, HAND W/O TRIGGER	1
▲▽ 2	608899	ASM., TRIGGER	1
▲ 3	608894	BODY, VALVE	1
▲ 4	608895	NOZZLE, SPRAY	1
▲ 5	608900	●SCREEN	1
▲ 6	608896	●TIP, SPRAY	1
▲ 7	608897	●CAP	1

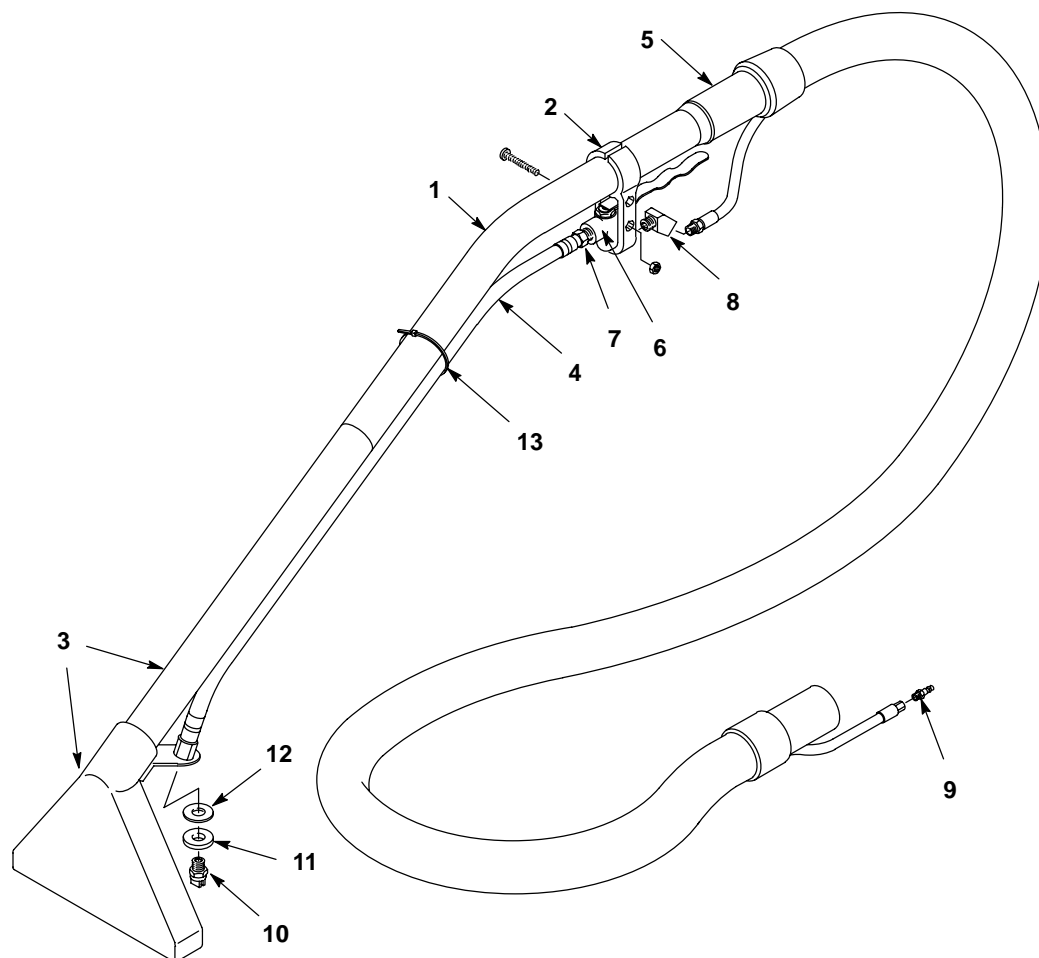
REF	PART #	DESCRIPTION	QTY.
▲ 8	608898	TRIGGER	1
9	608892	SEAL, SOLUTION HOSE	1
▽ 10	613395	●ASM., HOSE VAC/SOL W/ TWO CUFFS	1
▲ 11	608893	●ASM., SOLUTION HOSE	1
▲▽ 12	613394	●ASM., HOSE VAC W/ONE CUFF	1
▲ 13	613393	●HOSE, VACUUM 1-1/2"	1
▲ 14	609440	●CUFF, HOSE 1-1/2" X 3-1/2"	1

▽ ASSEMBLY / CONJUNTO

▲ INCLUDED IN ASSEMBLY / INCLUIDO EN EL CONJUNTO

● RECOMMENDED STOCK ITEMS / ARTICULOS RECOMENDADOS PARA  
MANTENER EN EXISTENCIA

OPTIONAL FLOOR TOOL  
ACCESORIO OPCIONAL DE PISO



REF	PART #	DESCRIPTION	QTY.
▽	605976	●TOOL, FLOOR COMPLETE	1
▲ 1	200467	WAND, UPPER SECTION ONLY	1
▲ 2	605988	ASM., VALVE HANGER	1
▲ 3	605977	ASM., 8" HEAD AND LOWER TUBE	1
▲ 4	605991	ASM., 1/4" HOSE WHIP 3 FT	1
▲ 5	603546	●HIDE A HOSE 1-1/2"X10FT	1
▲ 6	578064000	●VALVE, WATER CONTROL	1

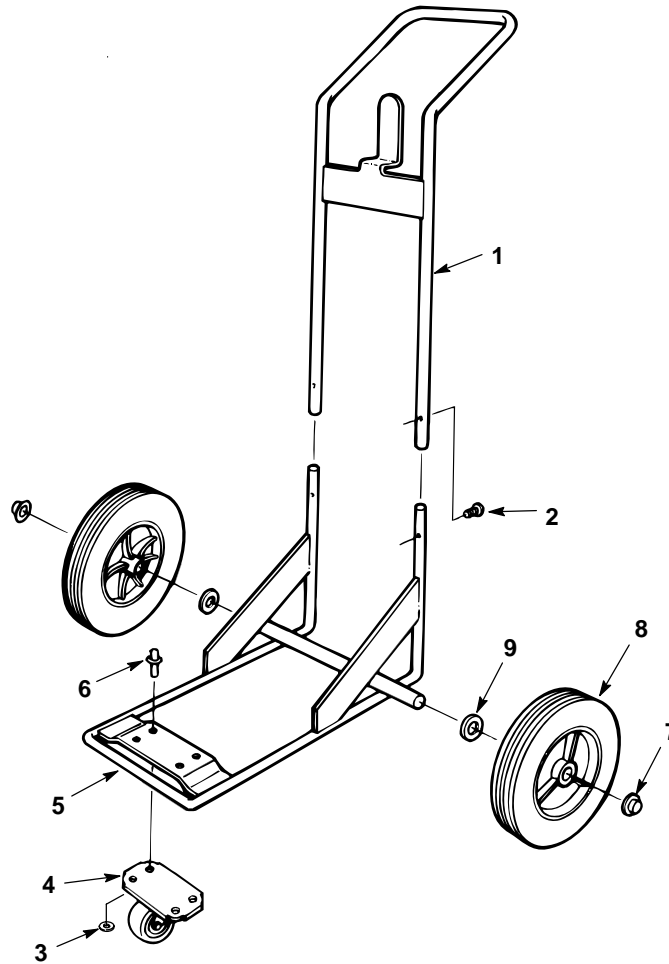
REF	PART #	DESCRIPTION	QTY.
▲ 7	150516	FITTING, 1/4MX3/8H BARB BRS	1
▲ 8	150403	FITTING, 1/4MX1/4F ELBOW STR45	1
▲ 9	150921	●PLUG, QCK. COUPLER – SER. 5	1
▲ 10	605989	●JET, VEE PLASTIC	1
▲ 11	605990	WASHER, ABS, 0.53X1.1X0.19 BLK	1
▲ 12	140058	WASHER, .543X.875X.062 WAND	1
▲ 13	130041	TIE, CABLE BLACK	1

▽ ASSEMBLY / CONJUNTO

▲ INCLUDED IN ASSEMBLY / INCLUIDO EN EL CONJUNTO

● RECOMMENDED STOCK ITEMS / ARTICULOS RECOMENDADOS PARA  
MANTENER EN EXISTENCIA

**OPTIONAL HANDCART  
CARRITO TRANSPORTADOR OPCIONAL**



REF	PART #	DESCRIPTION	QTY.
▽	701015	●ASM., CART COMPLETE	1
▲ 1	230781.BK	HANDLE, WELDMENT CART	1
▲ 2	140890	SCREW, 10-24X1/2 TRSPHL	2
▲ 3	140000	WASHER, FLAT 1/4" USS -ZINC	4
▲ 4	103001	●CASTER, 3" SWIVEL	1

REF	PART #	DESCRIPTION	QTY.
▲ 5	230780.BK	FRAME, WELDMENT CART	1
▲ 6	140701	RIVET, POP 1/4 X .126-.250	4
▲ 7	103019	●CAP, HUB	2
▲ 8	607277	●WHEEL, 8" X 1.75 SMOOTH GRAY	2
▲ 9	140008	WASHER, FLAT .570X1.28X.075	2

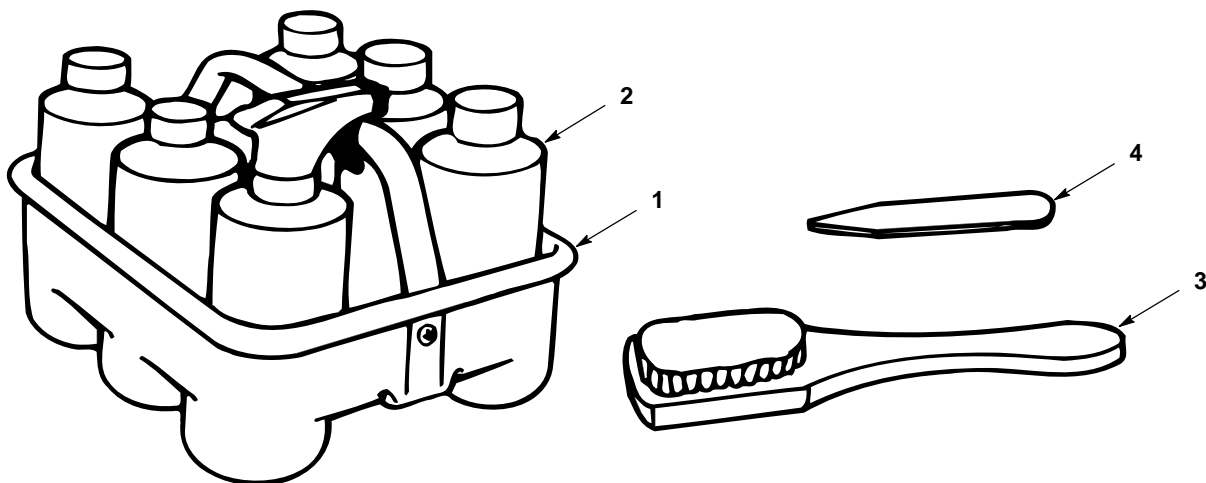
▽ ASSEMBLY / CONJUNTO

▲ INCLUDED IN ASSEMBLY / INCLUIDO EN EL CONJUNTO

● RECOMMENDED STOCK ITEMS / ARTICULOS RECOMENDADOS PARA MANTENER EN EXISTENCIA



OPTIONAL SPOTTING KIT  
JUEGO OPCIONAL QUITAMANCHAS



REF	PART #	DESCRIPTION	QTY.
▽	111002	●KIT, SPOTTING	1
▲ 1	701165	●ASM., BASKET	1
▲ 2	609261	●KIT, CHEMICAL (5-1 PINT BOTTLE ASSORTMENT)	1
▲ 3	240042	●BRUSH, TAMPING HEAVY DUTY	1
▲ 4	240049	●SCRAPER, WHALEBONE	1
N/S	113200	<del>TANNIN, BROWN-EX (12 PINTS/CASE)</del>	4
	112105	<del>TANNIN, BROWN-EX (4 GALLONS/CASE)</del>	4
N/S	112301	<del>SPOTTER, ALL-PURPOSE (12 PINTS/CASE)</del>	4
	112305	<del>SPOTTER, ALL-PURPOSE (4 GALLONS/CASE)</del>	4
N/S	113202	<del>CHEMICAL, GUM-REMOVER (12 PINTS/CASE)</del>	4
	113215	<del>CHEMICAL, GUM-REMOVER (4 GALLONS/CASE)</del>	4

REF	PART #	DESCRIPTION	QTY.
N/S	113203	<del>SPOTTER, DRY SOLVENT (12 PINTS/CASE)</del>	4
	113213	<del>SPOTTER, DRY SOLVENT (4 GALLONS/CASE)</del>	4
N/S	113204	<del>ENZYME, ORDER-ELIMINATOR (12 PINTS/CASE)</del>	4
	113214	<del>ENZYME, ORDER-ELIMINATOR (4 GALLONS/CASE)</del>	4
N/S	112201	<del>CHEMICAL, PRETREAT (12 PINTS/CASE)</del>	4
	112210	<del>CHEMICAL, PRETREAT (4 GALLONS/CASE)</del>	4
N/S	112405	<del>CHEMICAL, DEFOAMER (4 GALLONS/CASE)</del>	4
N/S	112012	<del>●PACKETS, CLEANING SOLUTION 2-OZ EACH (50-PACKETS/CASE)</del>	4

▽ ASSEMBLY / CONJUNTO

▲ INCLUDED IN ASSEMBLY / INCLUIDO EN EL CONJUNTO

● RECOMMENDED STOCK ITEMS / ARTICULOS RECOMENDADOS PARA  
MANTENER EN EXISTENCIA

Chemicals no longer available  
per ECO #11498